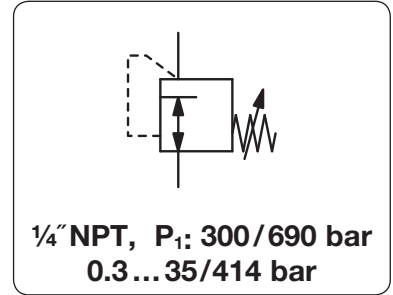


<b>Description</b>	Piston-operated high pressure regulator HP300 / HP400 are marked by high flow and great reliability.	
<b>Media</b>	compressed air, non-corrosive gases or liquids	
<b>Supply pressure</b>	max. 690 bar at HP300, max. 414 bar at HP400	
<b>Accuracy</b>	at supply pressure variation of 7 bar: < 5 mbar pressure deviation at HP300, < 250 mbar pressure deviation at HP400	
<b>Adjustment</b>	by black plastic knob	
<b>Relieving function</b>	non-relieving, optionally relieving	
<b>Mounting position</b>	any	
<b>Temperature range</b>	- 5 °C to 75 °C / 23 °F to 167 °F for HP300 -25 °C to 75 °C / -13 °F to 167 °F for HP400	
<b>Material</b>	Body:	brass, optionally stainless steel (spring cage brass), stainless steel completely on request
	Seals:	NBR at HP300 (relieving), FKM at HP300 (non-relieving) / HP400
	Spring cage:	brass at HP300, nickel-plated at HP400
	Valve seat:	Vespel at HP300 / HP400 (relieving), Teflon PFA at HP400 (non-relieving)
	Inner valve:	stainless steel
	<b>Leakage rate</b>	< 10 <sup>-4</sup> mbar l/s He
	<b>Gauge port</b>	1/4" NPT for inlet / outlet pressure, shifted by 70°



Dimensions			K <sub>v</sub> -value (m <sup>3</sup> /h)	Flow rate		Connection thread NPT	Pressure range bar	Order number
A	B	C		m <sup>3</sup> /h*1	l/min*1			

High pressure regulator 414 bar							non-relieving, brass	HP300	
55	175	19	0.05	90	1500	1/4" NPT	0.3 ... 35	HP300-035	
							0.6 ... 55	HP300-055	
							0.7 ... 104	HP300-105	
							1.0 ... 172	HP300-175	
							1.7 ... 276	HP300-280	
							3.4 ... 414	HP300-415	



HP300, accessory: set of mount. brackets

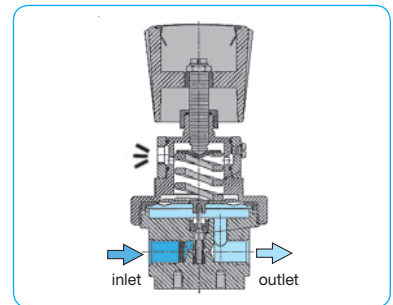
High pressure regulator 414 bar							non-relieving, brass	HP400	
50	137	13	0.05	90	1500	1/4" NPT	0.7 ... 104	HP400-104	
							1.0 ... 172	HP400-170	



HP400

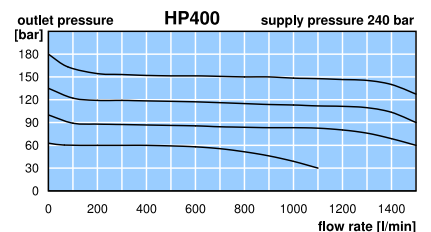
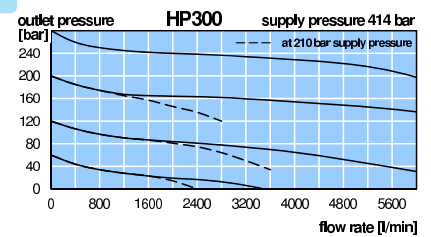
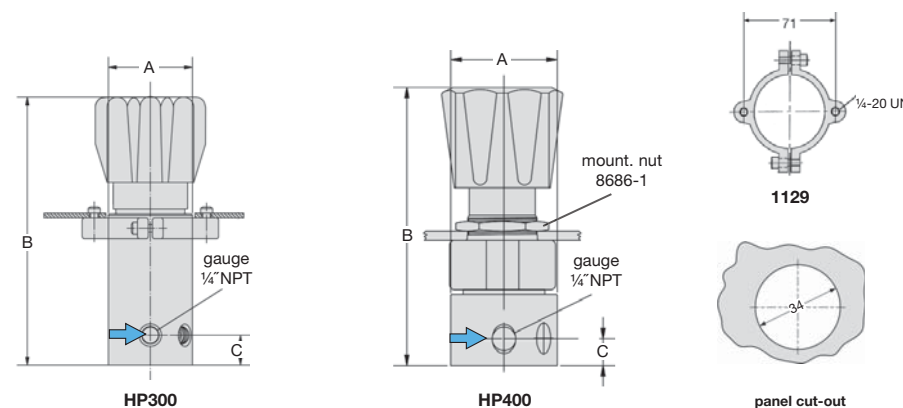
## Special options, add the appropriate letter

<b>relieving</b>		HP300-...R HP400-...R
<b>body made of SST</b>	(690 bar) (414 bar)	HP300-...S HP400-...S
<b>for oxygen</b>	specially cleaned, P <sub>1</sub> < 200 bar	for HP300/400 HP.00-...15
<b>for liquids</b>	w/o filter at inlet, valve seat of Nylatron w/o filter at inlet, valve seat of Vespel	for HP300 HP.00-...W for HP400 HP.00-...W
<b>brass pressure gauge</b>	for brass body, inlet side for brass body, outlet side	HP.00-...HM HP.00-...GM
<b>SST pressure gauge</b>	for stainless steel body, inlet side for stainless steel body, outlet side	HP.00-...H HP.00-...G



## Accessories

<b>set of mounting brackets</b>	aluminium	for HP300	<b>1129</b>
<b>mounting nut</b>	for panel mounting, made of stainless steel	for HP400	<b>8686-1</b>



\*1 at 240 bar supply pressure and 30 bar outlet pressure